

Flexile LG Midnight / Daylight Installation Instructions



Warnings and Safety

- Please verify the contents of the package!
- Please read instructions before starting the installation
- Make sure power is off before installing or modifying the system.
- Call Tivoli LLC tech support with any questions
- This product is designed to work with listed Class 2, 12V DC transformers only. Use of any other power source will cause damage, shorten the life of the fixture, and will void the warranty.
- Consult any local and national codes for installation.
- Do not conceal or extend exposed conductors through a building wall per electrical code.
- Follow basic safety precautions when dealing with any luminaire application to reduce the risk of fire, electrical shock, and/or personal injuries. This lighting system should be installed by a certified professional.

Product Warnings

- Do not immerse in water as product damage may result. Flexile is rated IP65 for outdoor use.
- Do not cut into this product in any way. Flexile is not designed to be cut in the field. Determine length requirements when ordering from the factory.
- Do not bend tighter than a minimum radius of 1.25".
- Do not exceed the maximum run length.

Flexile LG Midnight / Daylight Installation Instructions



Table of Contents

Warnings and Safety	1
Table of Contents.....	2
Product Overview	3
Clear Plastic Clips	4
Short Channel Clips	5
Open Mounting Channel.....	6
Closed Mounting Channel.....	6
Low Profile Brackets.....	7
Clear Joiner.....	8
Aluminum Joiner.....	9
Semicircle Surface Mounting Bracket.....	9
Suspension Cables with Mounting Hardware	11
Suspension Cable with Horizontal Clear Tube.....	13
Telescoping Brackets.....	14
Power Supply Wiring Diagram	15

Flexile LG Midnight / Daylight Installation Instructions



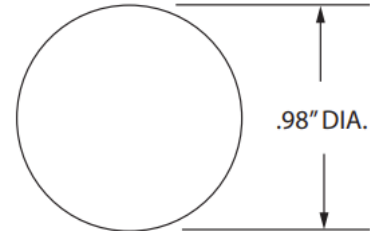
Product Overview



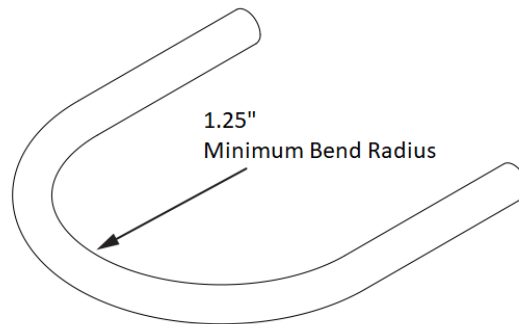
Front Power Lead



Side Power Lead



.98" DIA.



1.25"
Minimum Bend Radius

Do not bend this product tighter than a 1.25" bend radius.

This instruction covers 9 available methods for attaching Flexile to mounting surfaces:

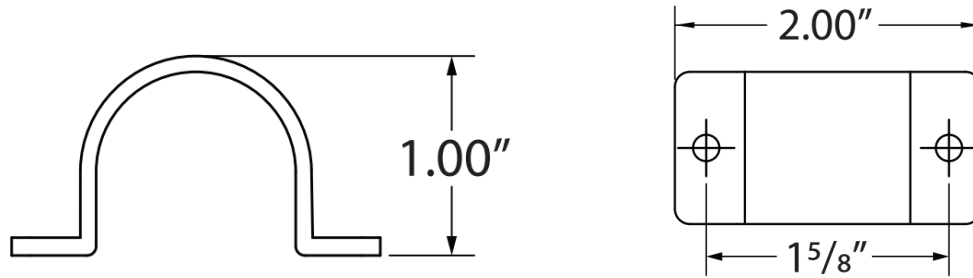
- Clear Plastic Clips
- Short Channel Clips
- Open Mounting Channel
- Closed Mounting Channel
- Low-Profile Brackets
- Clear Joiner
- Aluminum Joiner
- Suspension Cables with Mounting Hardware
- Suspension Cable with Horizontal Clear Tubing
- Telescoping Brackets

Flexile LG Midnight / Daylight Installation Instructions

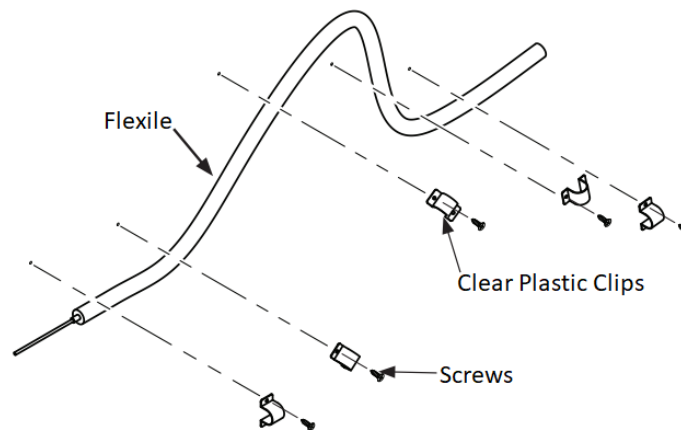


Clear Plastic Clips

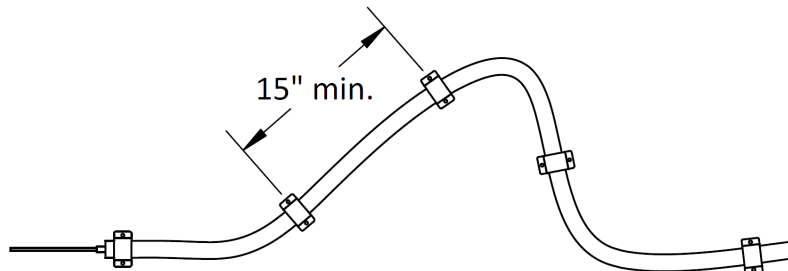
Use the Clear Plastic Clips (**FLX-LG-CL-CLIP**) for tighter, more intricate layouts. There is a recommended on center spacing of 15" minimum between each clip.



1. Position the Flexile against the mounting surface with the clear plastic clips positioned over the Flexile. Use the appropriate No. 6 screws to secure the clear plastic clips over the Flexile.



2. Repeat Step 1 for every clear plastic clip position until the entire length of the Flexile is secure to the mounting surface.



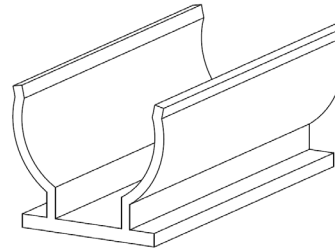
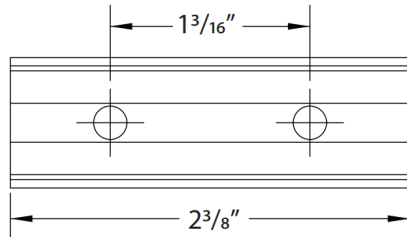
3. Connect the lead wire to the power supply.

Flexile LG Midnight / Daylight Installation Instructions

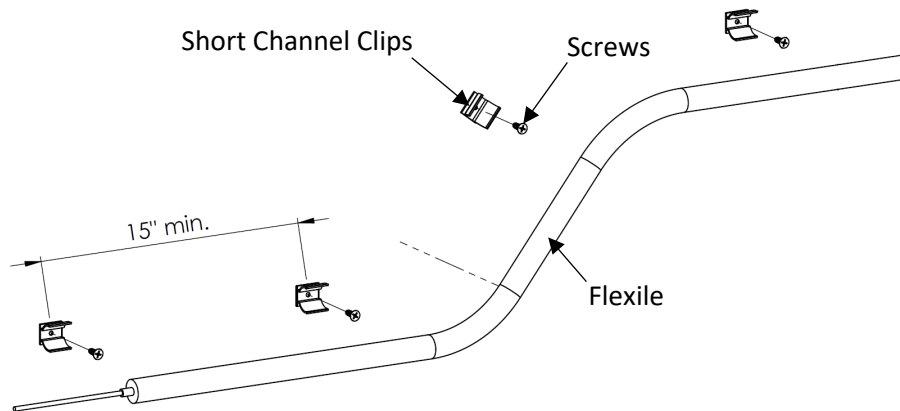


Short Channel Clips

Use the Short Channel Clips (**FLX-LG-OP-CLIP**) for designs with a combination of straight and curved sections. For wall mount only. There is a recommended on center spacing of 15" minimum between each clip.



1. Position the short channel clips on mounting surface following the design pattern. Use the appropriate No. 6 screws to secure the short channel clips.



2. Press the Flexile body into each short channel clip until the entire length of Flexile is mounted in all the clips.
3. Connect the lead wire to the power supply.

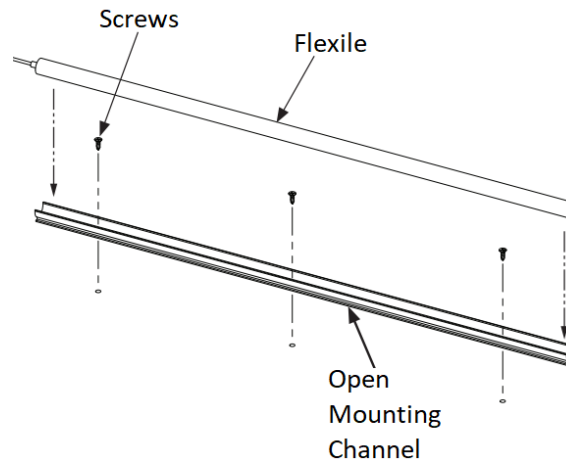
Flexile LG Midnight / Daylight Installation Instructions



Open Mounting Channel

Use the Open Mounting Channel (**FLX-LG-OP-CHAN**) for straight runs of Flexile. Channel is supplied from the factory in 6.5' lengths. For wall mount only.

1. Position the open mounting channel to the mounting surface. Use the appropriate No. 6 screws to secure the open mounting channel.
2. Press the Flexile body into the open mounting channel starting at one end and continue to press down along until the entire length of Flexile until it is fully inserted.

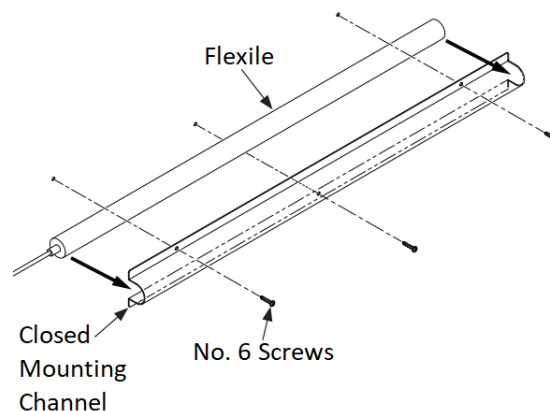


3. Connect the lead wire to the power supply.

Closed Mounting Channel

Use the Closed Mounting Channel (**FLX-LG-CL-CHAN**) for straight runs of Flexile. Channel is supplied from the factory in 6.5' lengths. For wall mount only.

1. Insert the Flexile into the closed mounting channel by starting at one end and pressing along the length of the fixture until it is fully inserted in the channel.
2. Position the channel/Flexile assembly to the mounting surface. Use the appropriate No. 6 screws to secure the open mounting channel.



3. Connect the lead wire to the power supply.

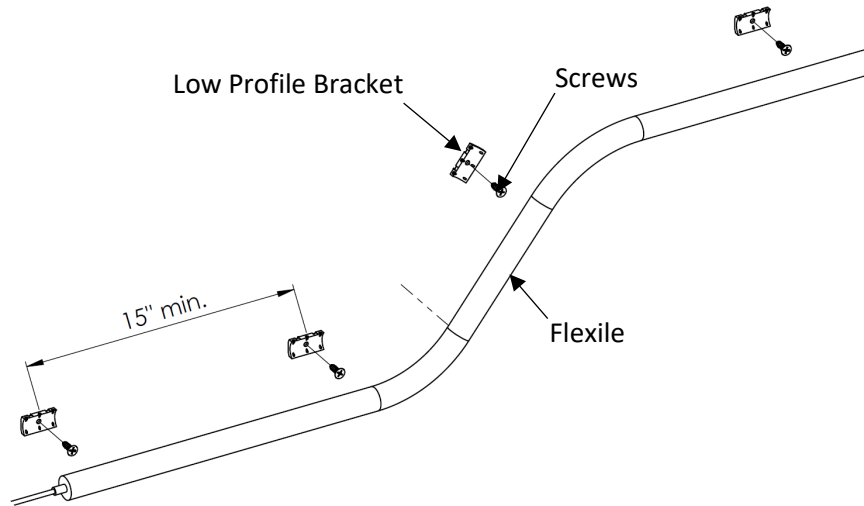
Flexile LG Midnight / Daylight Installation Instructions



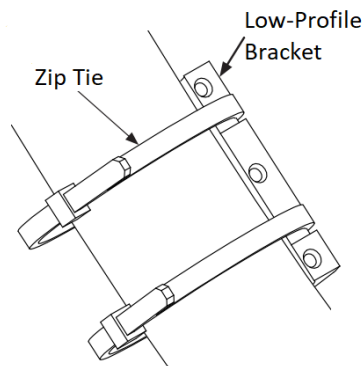
Low Profile Brackets

Use the Low-Profile Brackets (**FLX-LG-MTBK-LP**) for designs with straight and curved sections. For wall mount only. There is a recommended on center spacing of 15" between each bracket.

1. Position the low-profile brackets to the mounting surface and use the appropriate No. 6 screws to secure them.



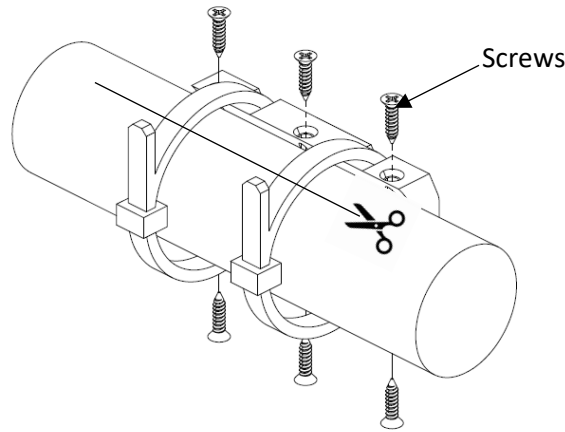
2. Press the Flexile body into each low-profile bracket one at a time, using zip ties to temporarily secure Flexile.



Flexile LG Midnight / Daylight Installation Instructions



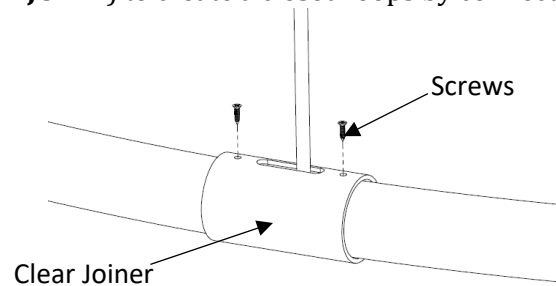
3. Use six screws (supplied by others) to secure Flexile and then remove zip ties. Repeat for the entire length of Flexile.



4. Connect the lead wire to the power supply.

Clear Joiner

Use the Clear Joiner (**FLX-LG-CL-JOINR**) to create a closed loops by connecting two ends of Flexile together.



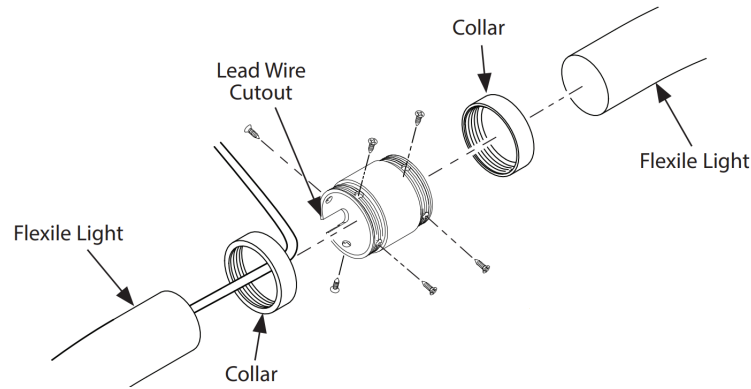
1. Slide the two ends of the Flexile through the clear joiner. If there is a power lead, slide it through the open slot of the joiner.
2. Secure both ends of the Flexile to the joiner using screws.

Flexile LG Midnight / Daylight Installation Instructions



Aluminum Joiner

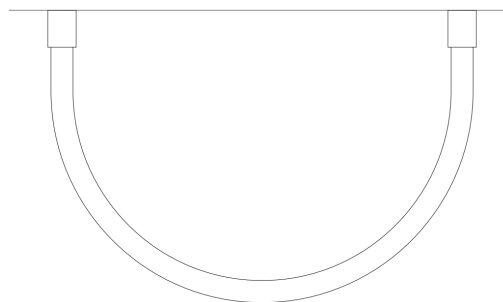
Similar to the Clear Joiner, the Aluminum Joiner (**FLX-LG-JOINR-CR**) can also create a closed loops by connecting two ends of Flexile together.



1. Slide Collar over the end of the Flexile.
2. Determine which end of the connector has the lead wire cutout.
3. Insert the end of the Flexile into the connector and secure with 4 screws (included).
4. Insert another collar over the end of another Flexile (if making a ring, place the collar over the other end of the same Flexile). Insert it into the connector and secure with 4 screws (included).
5. Mount fixture to mounting surface using any of the mounting bracket options and connect to power.

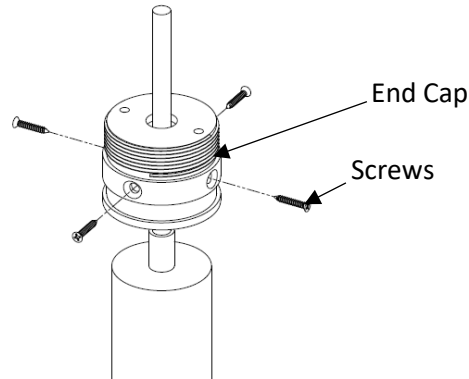
Semicircle Surface Mounting Bracket

Use the Semicircle Surface Mounting Bracket (**FLX-LG-MTBK-SEMICIRCLE**) to create a flush mount semi-circle shape of the Flexile Light.

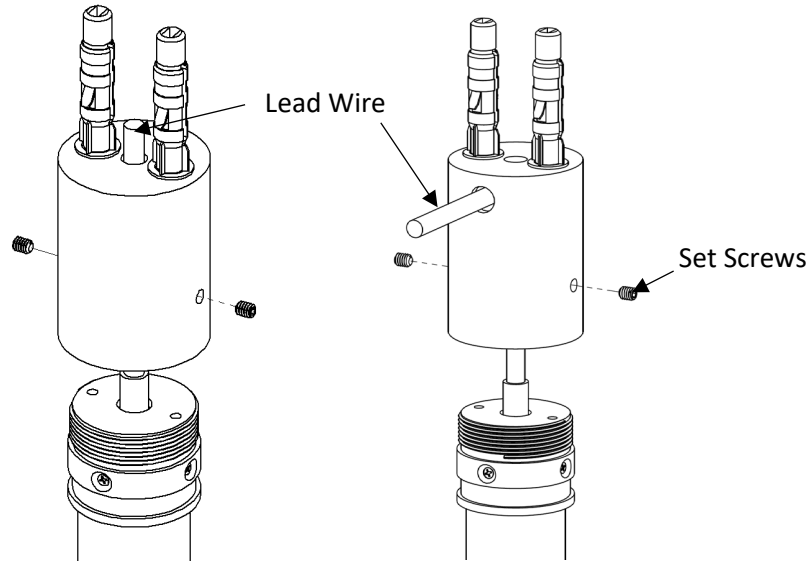


1. Secure Hanger to surface using screws appropriate for mounting surface, e.g.: wood screws for wood (drywall installation shown)
2. Determine the location for the other end and repeat Step 1.

Flexile LG Midnight / Daylight Installation Instructions



3. Route the Lead Wire through the end cap and secure the Flexile using screws. Repeat for the other end.



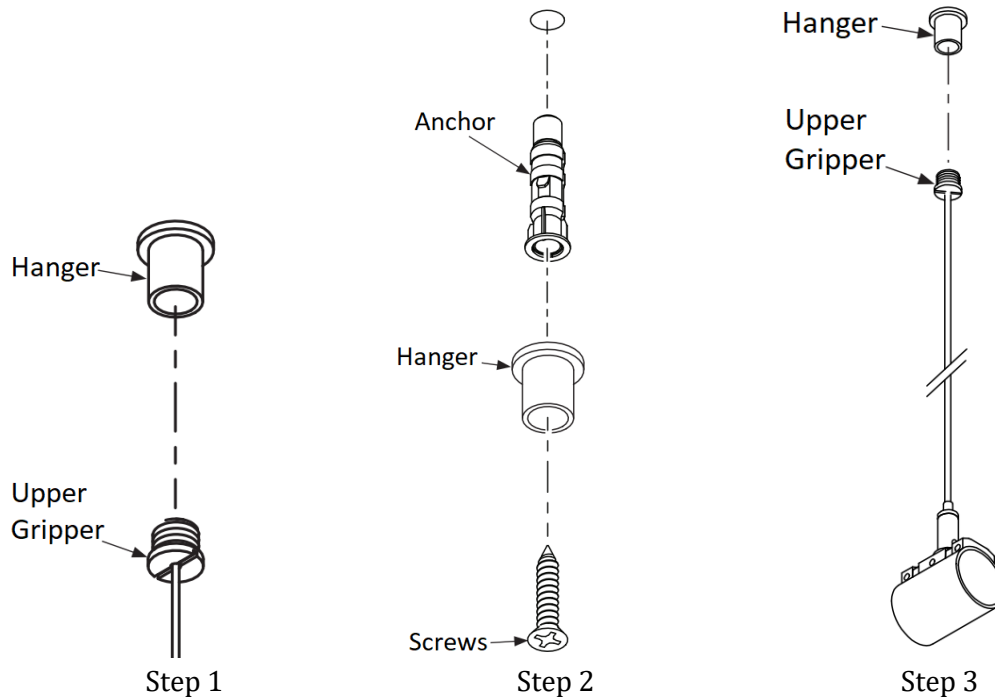
4. Route the power lead through the top hole of the hanger or the side hole of the hanger and secure the hanger on the end cap using set screws.
5. Connect power lead to power supply.

Flexile LG Midnight / Daylight Installation Instructions

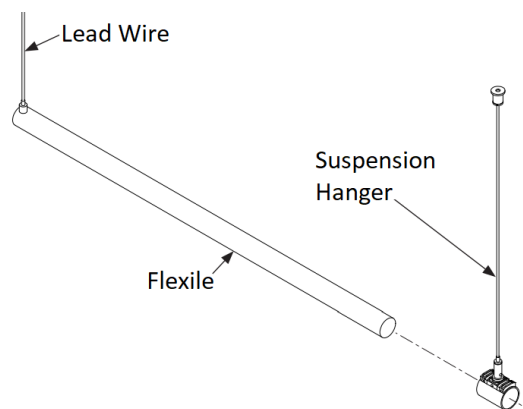


Suspension Cables with Mounting Hardware

Use the Suspension Cables with Mounting Hardware (**FLX-LG-SUS-MTBK-1**) to create suspended runs of Flexile. There is a recommended on center spacing of 15" minimum between each mounting point.



1. Unscrew the gripper unit from the hanger.
2. Drill a hole in mounting surface and secure hanger to surface using the appropriate screws (drywall installation shown below).
3. Screw the upper Cable Gripper into the Hanger.

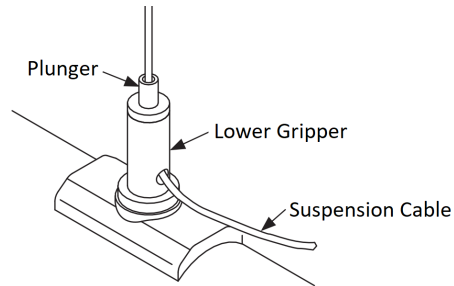


4. Slide the Flexile assembly into the Suspension Hanger, as shown.

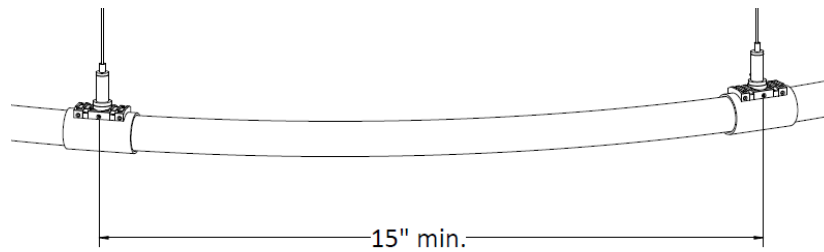
Flexile LG Midnight / Daylight Installation Instructions



5. Depress the Plunger on the Lower Cable Gripper and pull the cable through to adjust the hanging height of the fixture.



6. Connect power lead to power supply.



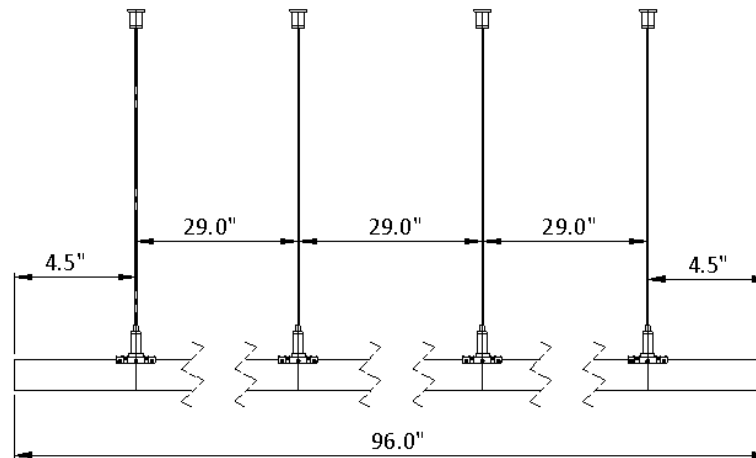
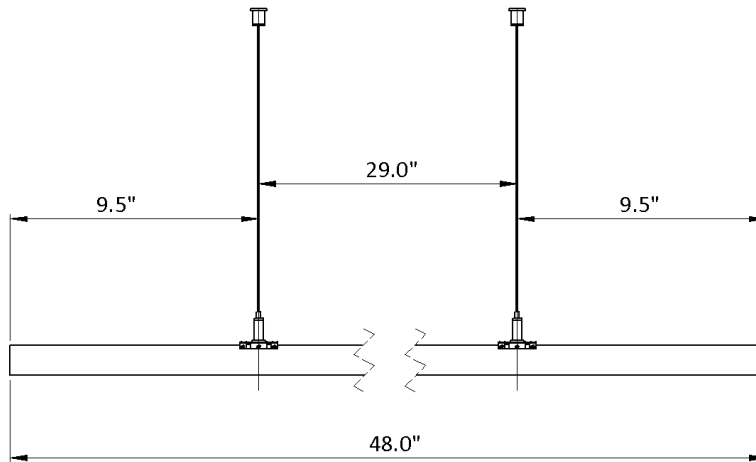
Flexile LG Midnight / Daylight Installation Instructions



Suspension Cable with Horizontal Clear Tube

There is an option for longer horizontal, clear polycarbonate tubes (**FLX-LG-H-X-PNDT**) offered in 4 feet (**X=4**) and 8 feet (**X=8**). The dimensions are shown below.

1. Follow Steps 1-6 of the Suspension Cables with Mounting Hardware section. The suspension cables are mounted the same way.

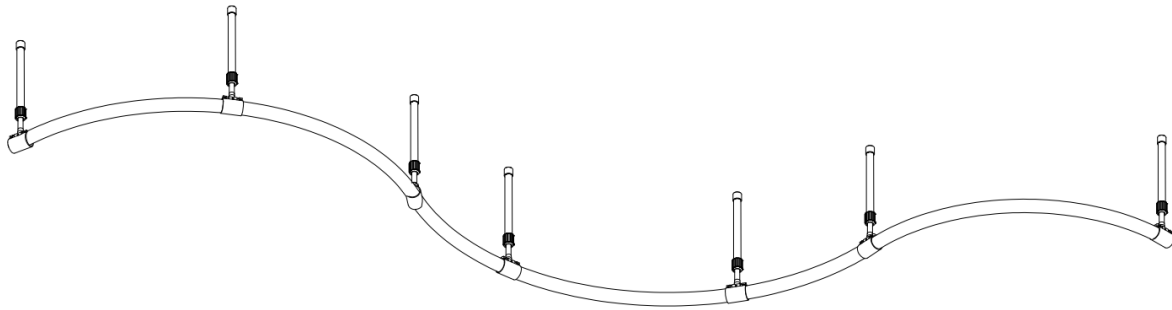


Flexile LG Midnight / Daylight Installation Instructions



Telescoping Brackets

Use Telescoping Bracket (**FLX-LG-TEL-MTBK-1**) to create suspended curved suns of Flexile. There is a recommended on-center spacing of 15" minimum for each bracket.

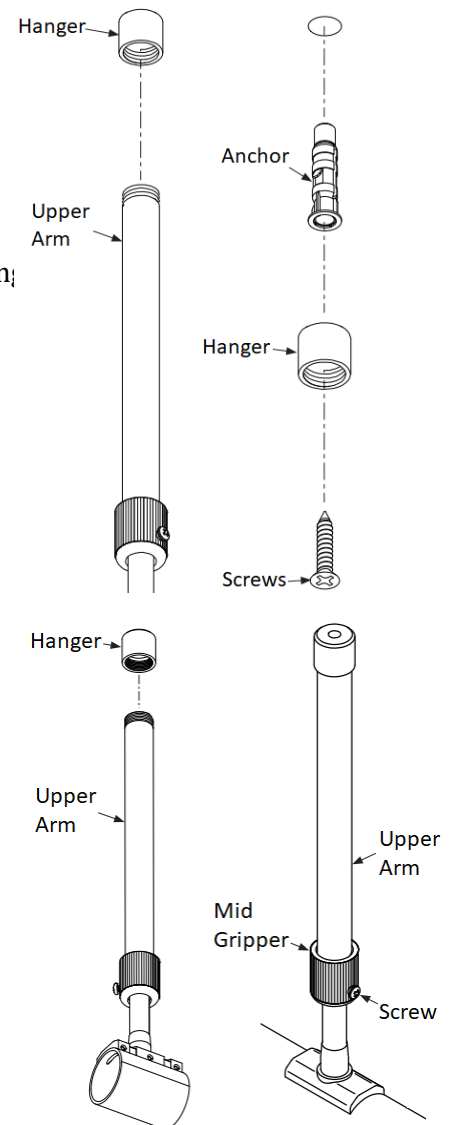


1. Unscrew the gripper from the Hanger.

2. Drill a hole in the mounting surface and secure hanger to surface using the appropriate screws (drywall installation shown below).

3. Screw the Upper Arm into the Hanger.

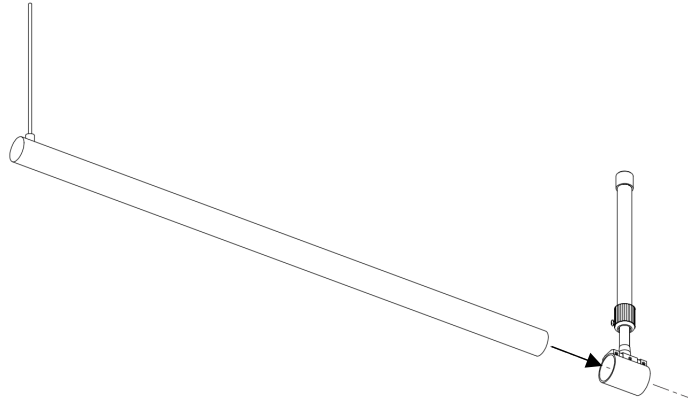
4. Set telescoping arm to desired length and orient the tube to desired angle, then tighten Mid Gripper and Screw.



Flexile LG Midnight / Daylight Installation Instructions



5. Slide the Flexile assembly into the Suspension Hanger as shown below.



6. Connect lead wire to power supply.

Power Supply Wiring Diagram

There are many possible options for powering Flexile. See the specification sheet for more information. The following wiring diagram is for reference only. See the specification sheet and related power supply specification sheets for more information and detailed wiring instructions.

